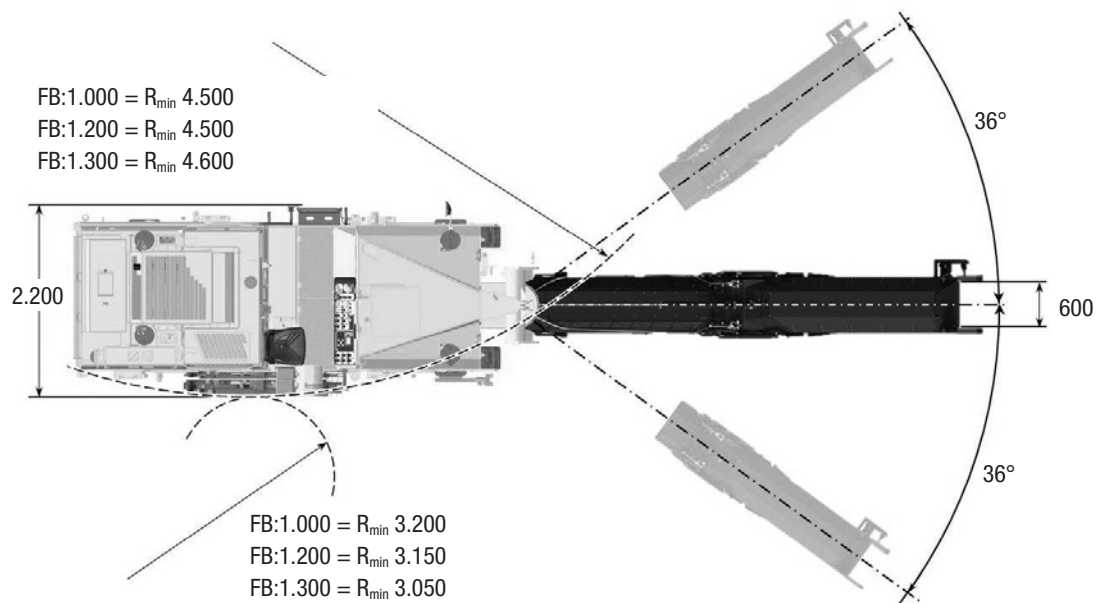
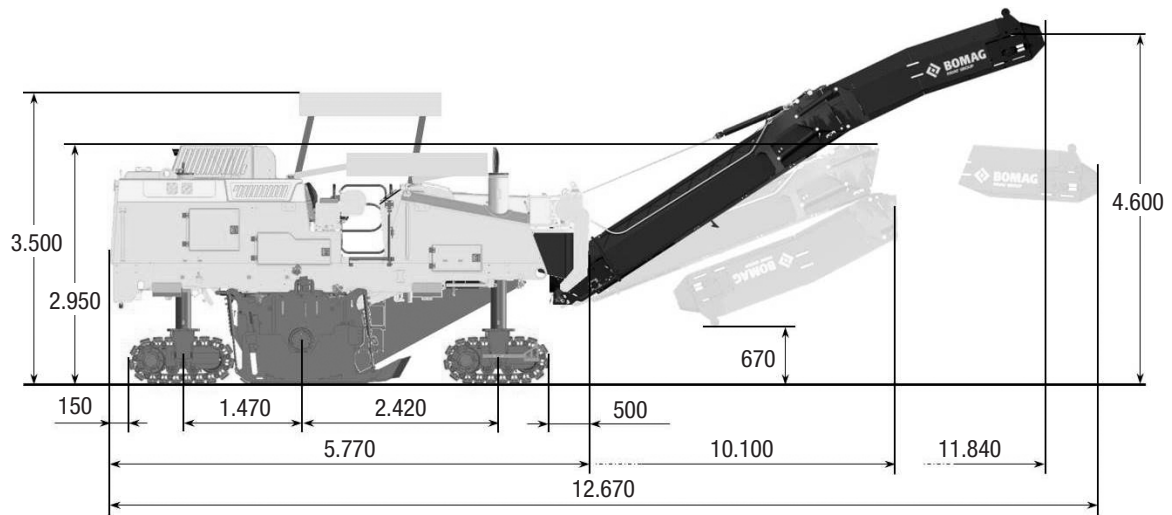


# TECHNICAL DATA

COLD PLANER

BM 1000/30, BM 1200/30, BM 1300/30 TIER 4





#### BM 1000/30

calculated for asphalt of average hardness	4	8	12	16	24	32
Rate of advance V (m/min)	18 - 24	12 - 16	9 - 12	6,5 - 9	3,5 - 5	2 - 3
Area output Ft (m <sup>2</sup> /h) (Theoretical)	1100 - 1450	700 - 1000	550 - 700	400 - 550	200 - 300	120 - 200
Milling volume Qt (m <sup>3</sup> /h) (Theoretical)	44 - 58	56 - 80	66 - 84	64 - 88	48 - 72	39 - 64

#### BM 1200/30

calculated for asphalt of average hardness	4	8	12	16	24	32
Rate of advance V (m/min)	15 - 20	10 - 13	7 - 10	5,5 - 7,5	2,5 - 4,5	1,5 - 3
Area output Ft (m <sup>2</sup> /h) (Theoretical)	1080 - 1440	720 - 936	504 - 720	396 - 540	180 - 324	108 - 216
Milling volume Qt (m <sup>3</sup> /h) (Theoretical)	43 - 57	57 - 75	60 - 86	63 - 86	43 - 77	34 - 69

#### BM 1300/30

calculated for asphalt of average hardness	4	8	12	16	24	32
Rate of advance V (m/min)	13 - 19	9 - 12	7 - 9	5 - 7	2,5 - 4	1 - 2,5
Area output Ft (m <sup>2</sup> /h) (Theoretical)	1000 - 1450	700 - 950	550 - 700	400 - 550	200 - 300	80 - 200
Milling volume Qt (m <sup>3</sup> /h) (Theoretical)	42 - 58	56 - 76	66 - 84	64 - 88	48 - 72	26 - 64

The following factors greatly influence performance when the equipment is employed practically: Different milling material, waiting for lorries, traffic hold-ups, road installations such as manhole covers, hydrants, etc.

## Technical Data

### Milling Drum

	<b>BOMAG BM 1000/30</b>	<b>BOMAG BM 1200/30</b>	<b>BOMAG BM 1300/30</b>
Milling width max .....	1.000	1.200	1.300
Milling depth .....	0 – 320	0 – 320	0 – 320
Milling line space .....	15	15	15
Cutting diameter .....	980	980	980
No. of Tools .....	99	115	121
Milling Drum Speed .....	111	111	111

### Drive

Engine Manufacturer .....	CAT	CAT	CAT
Type .....	C7.1 ACERT	C7.1 ACERT	C7.1 ACERT
Emission standards .....	4/4 final	4/4 final	4/4 final
Cooling .....	Liquid cooled	Liquid cooled	Liquid cooled
No. of cylinders / Displacement .....	6 / 7.000	6 / 7.000	6 / 7.000
Power .....	205 / 280	205 / 280	205 / 280
Engine Speed .....	2.200	2.200	2.200
Peak Torque .....	1.257	1.257	1.257
Consumption at max. Torque .....	212	212	212
Consumption at rated Power .....	231	231	231
Consumption at Job-mix .....	26	26	26
Generator .....	24	24	24
Battery .....	2 x 12 / 132	2 x 12 / 132	2 x 12 / 132

### Driving Characteristics

Transport-speed .....	0 – 6	0 – 6	0 – 6
Operating-speed .....	0 – 28	0 – 28	0 – 28
Crawler size L x W x H .....	1.275 x 268 x 570	1.275 x 268 x 570	1.275 x 268 x 570

### Capacities

Fuel .....	450	450	450
AdBlue .....	40	40	40
Water .....	1.250	1.250	1.250
Hydraulic .....	130	130	130

### Loading-system

Conveyor width, inside / outside .....	600 / 600	600 / 600	600 / 600
Theoretical capacity .....	170	170	170
Discharge height .....	4.600	4.600	4.600

### Weights

Max. Operating weight (incl. Options) .....	20.000	20.350	20.550
Operating weight CE .....	19.150	19.500	19.700
Basic weight .....	18.715	19.065	19.265

### Additional weights for Options

Weather protection roof .....	150	150	150
Fine-milling-drum LA8 .....	300	300	300

Technical modifications reserved. Machines may be shown with options.

## Standard

### Milling technology

- Milling Drum LA15
- BOMAG BMS 15 exchangeable toolholder
- Proportional adjustable water injection
- Levelling, 2 sides + slope
- Hydraulically operated side-plates
- Hydraulically operated front mouldboard
- Rear mouldboard with adjustable pre-load-pressure
- Automatic load-control
- Automatic distribution of traction
- Hydraulically foldable Conveyor

### Drive Systems

- 4-Crawlers
- 4 crawler steerable, front or/and rear
- Crabwalk
- Automatic distribution of traction
- Variable transport speed
- Variable operating speed
- Mechanical Drum-drive

### Operation comfort

- Comfort-workstation for sitting operation
- Ergonomic side-shifting of operator seat
- Self-explanatory, well-arranged dashboards
- Ground control panels
- Service- and maintenance-points ergonomic concentrated

### Safety & environmental protection

- Liquid cooled engine following latest emission rules
- SCR-Cat with Add-blue
- Whisper-package for noise elimination
- Variable placeable working-lights
- Rotary-beacon
- Mirrors

- Safety-package with emergency-stop-switches
- Back-up-alarm
- Vandalism protection

## Optional

### Basic machine

- Weather protection roof
- Water filling pump
- High pressure cleaner
- compressed air system
- Road lights
- Special colour
- Biodegradable hydraulic oil

### Milling technology

- Milling-Drum 1000, BMS15, LA15
- Milling-Drum 1200, BMS15, LA15
- Milling-Drum 1300, BMS15, LA15
- Fine-Milling-Drum 1000, BMS15, LA8
- Fine-Milling-Drum 1200, BMS15, LA8
- Fine-Milling-Drum 1300, BMS15, LA8
- POWER DRUM 1000, BMS15, LA22
- POWER DRUM 1200, BMS15, LA22
- POWER DRUM 1300, BMS15, LA22

### Levelling Systems and electronic support

- BOMAG TELEMATIC

